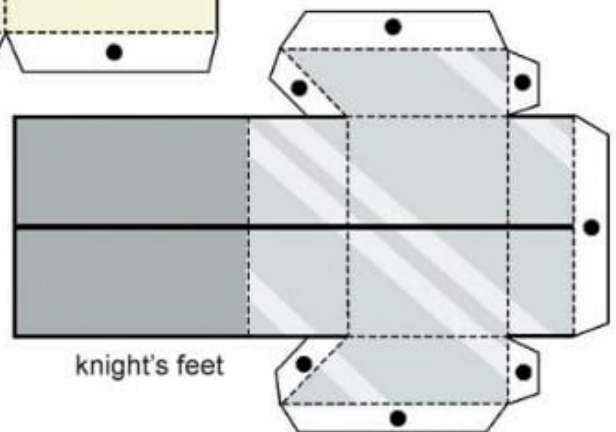
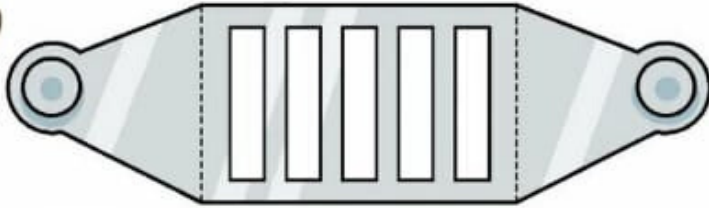


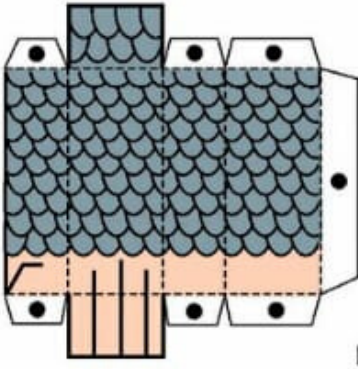
Fold and glue the two sides of the sword together. Then cut out the sword by cutting along the lines of the sword.



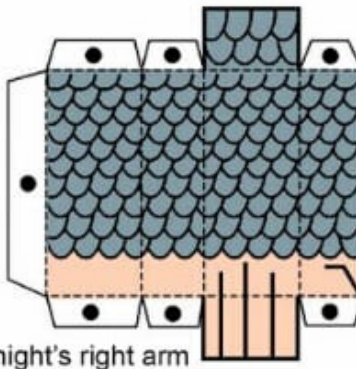
knight's helmet visor



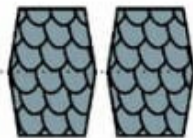
tabs to attach the tuft on the helmet



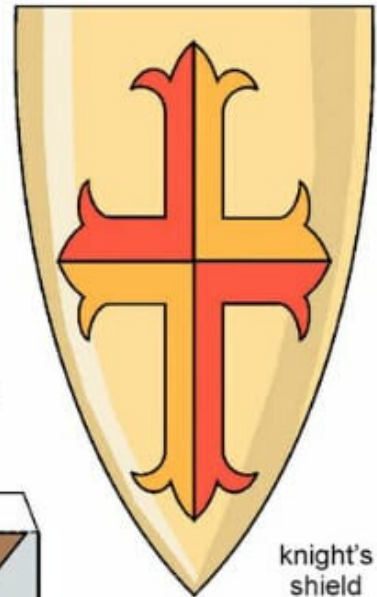
knight's left arm



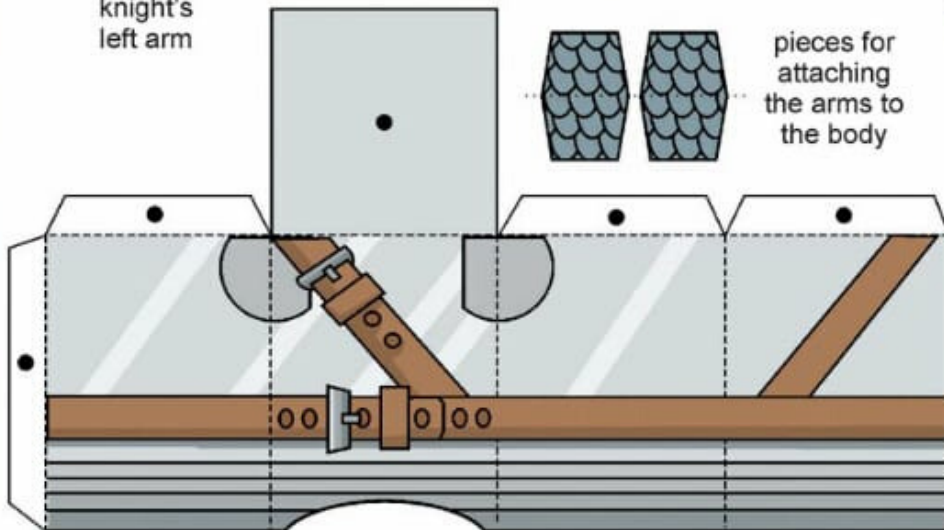
knight's right arm



pieces for attaching the arms to the body

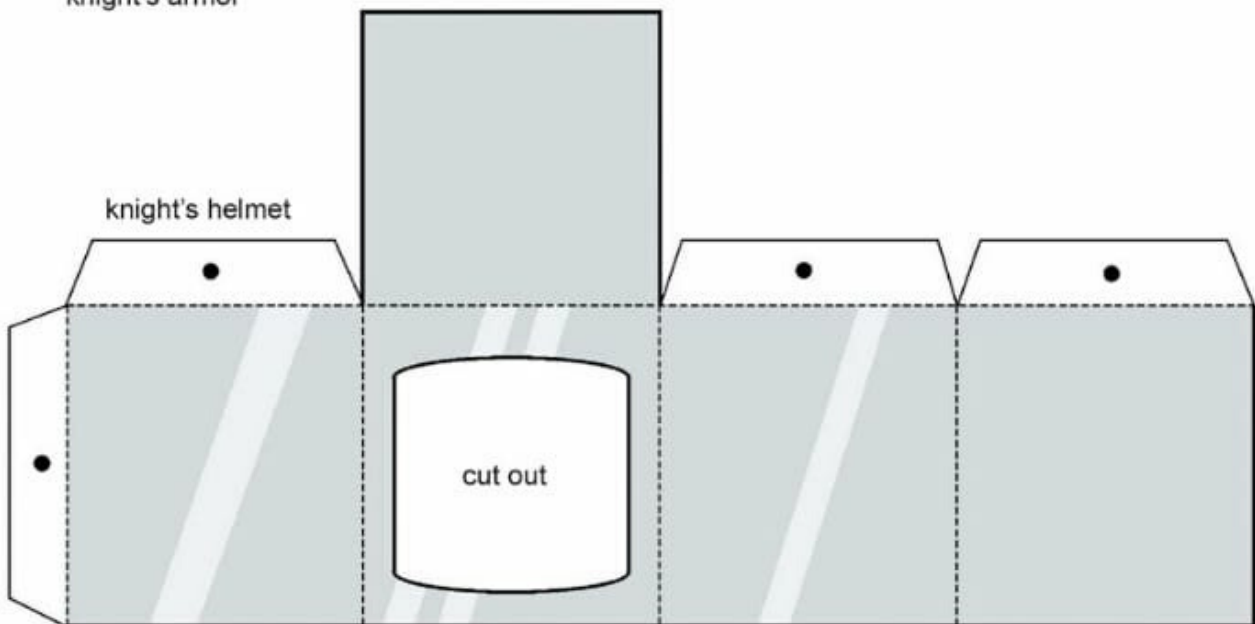


knight's shield



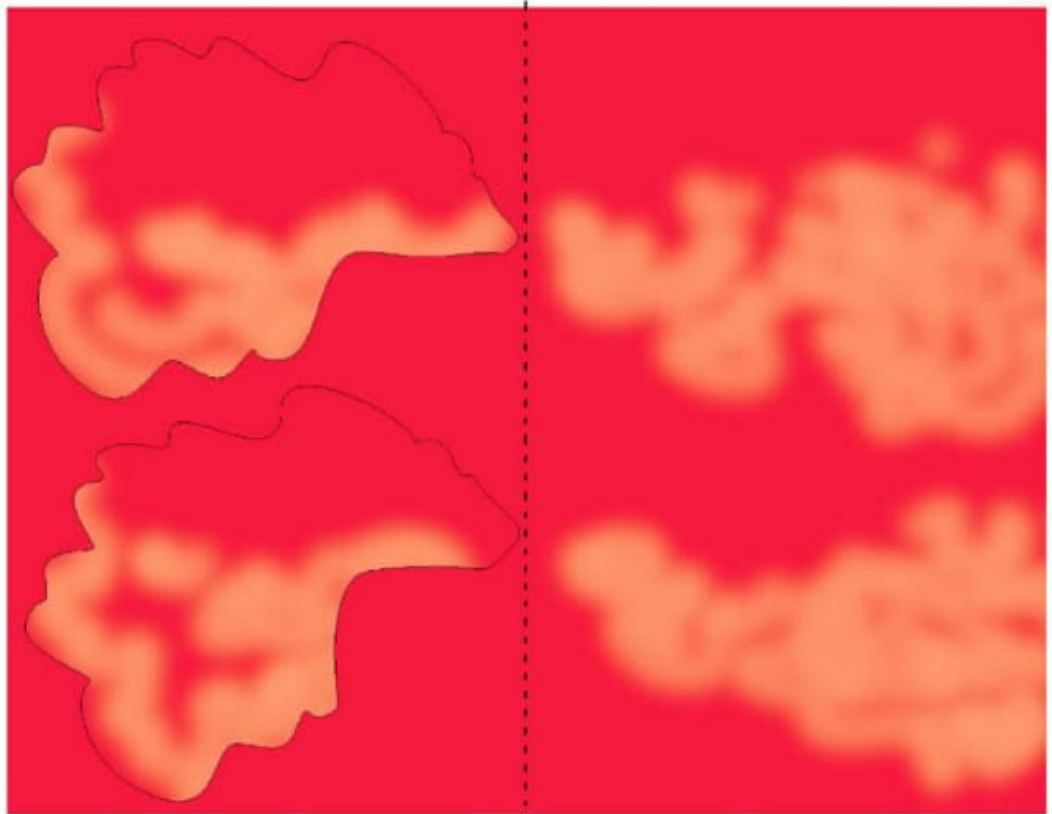
knight's armor

knight's helmet



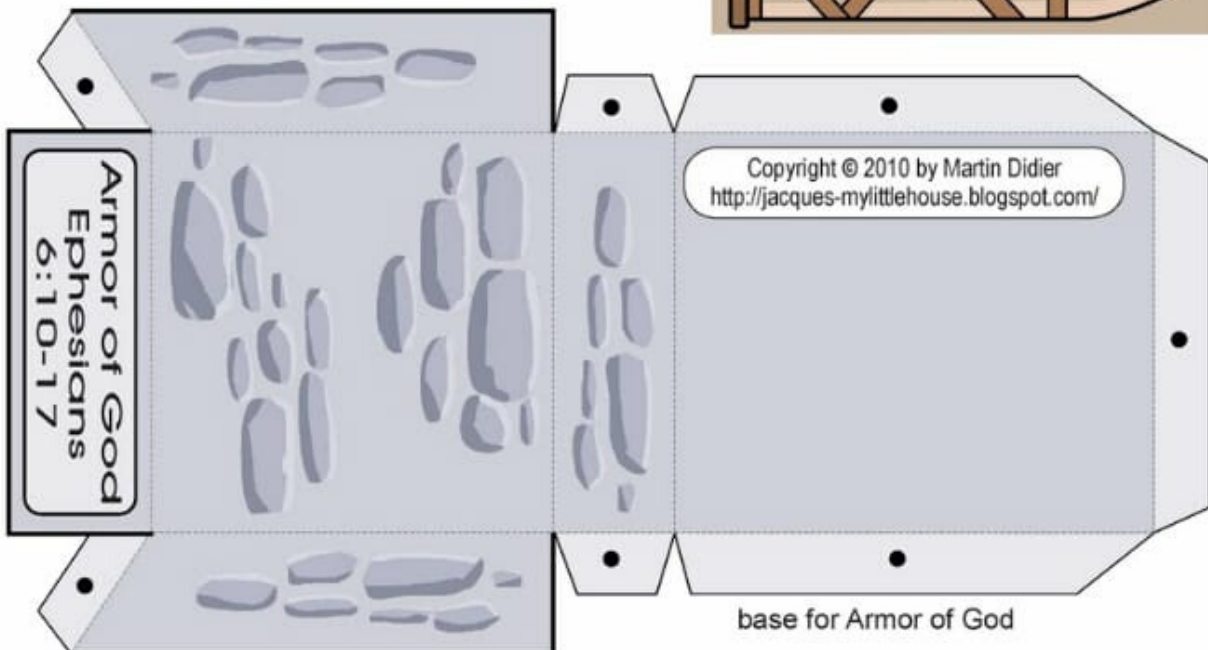
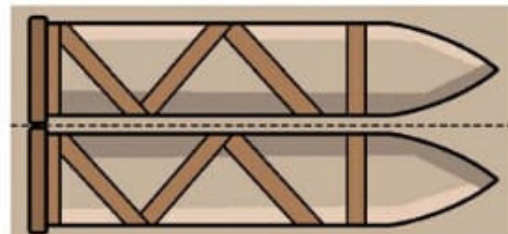
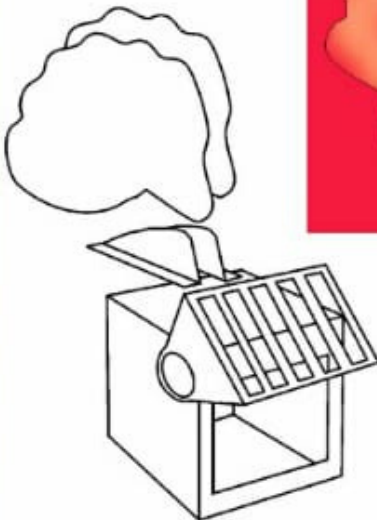
TO ADD THE CREST TO THE HELMET

Cut out and assemble the helmet box and visor. Cut out the two parts of the tuft. Also, cut out the two tabs for attaching the tufts found on page 5. Glue the tufts and tabs sandwiched together with the tufts in the middle. Next, glue the assembled crest on top of the helmet. See the photos on page 1 for the example.



helmet tuft

fold and glue the two sides together, then cut along the lines



base for Armor of God